



## HTP Pumps

Rotary Vane Mag Drive Pumps. DRY SELF-PRIMING.



COMPLETELY INTERCHANGEABLE WITH Caster MPA pumps

Designed to suit **low flow high head applications** especially in Pilot Plants, Sampling, Flushing of mechanical seals. **HTP pumps** are suitable for pumping dangerous and radioactive liquids, transfer solvents, acids, alkalis and refrigerants. **HTP pumps are equipped with zero leakage magnetic coupling to meet the latest toxic emissions regulations.**

**HTP pumps** are suitable for thin no-lubricating liquids and/or high differential pressure. **HTP pumps are capable of self-priming from a dry start up to 3 m.**

Features:

- **Flow up to 950 l/h, Pressure up to 13 bar.**
- Max viscosity of pumped liquid: up to 2000 cPs.
- **Temperature range: from -70°C up to 250°C.**
- **Materials: ASTM 316 Casing and Rotor. Carbon Graphite Stator. Options: Hastelloy Casing.**
- System pressure 25 bar.
- **Flanges available.**
- No gears to wear or metal to metal contact, low internal slip.
- Capable of proportioning with variable speed drivers.
- Heavy duty alloy casing and rotors machined from wrought alloy bars.
- Replaceable carbon cartridge – low maintenance costs.
- **Chemically resistant carbon.**
- High torque magnetic coupling.
- Direct starting motors.

DELFIN Industries Pte Ltd.

TEL +65 6773 8533 FAX +65 6896 6583 E mail: [delfinpl@sinagnet.com](mailto:delfinpl@sinagnet.com)

[www.delfincorp.com](http://www.delfincorp.com)



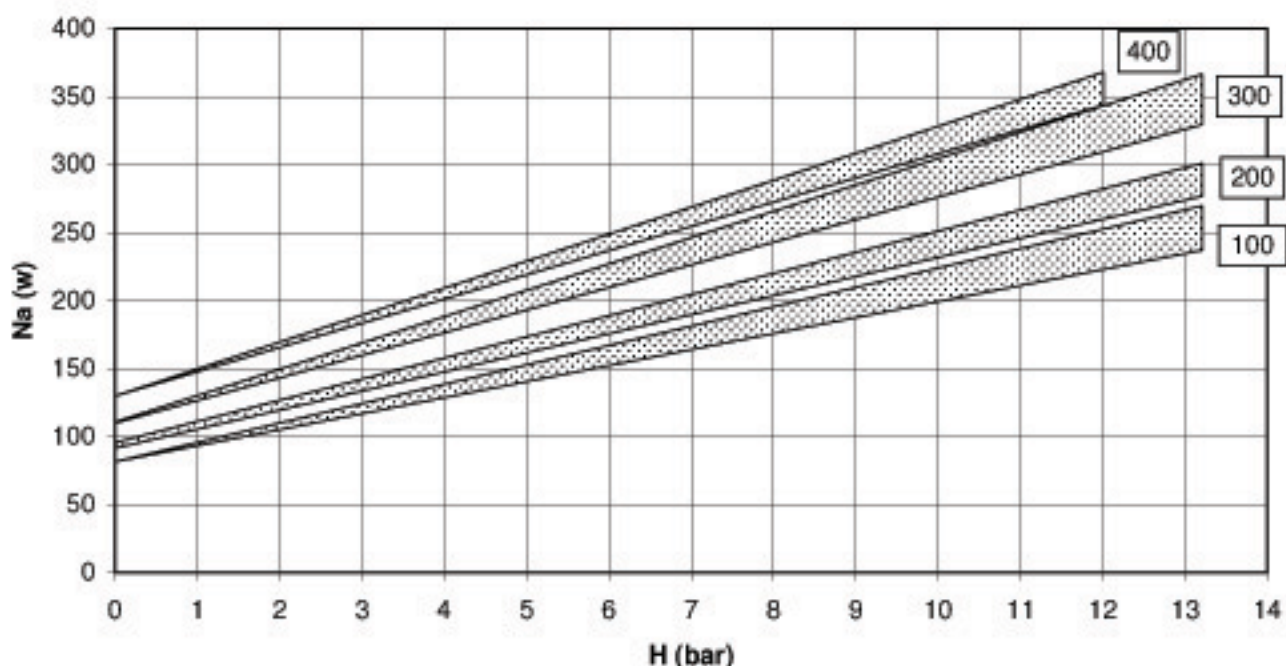
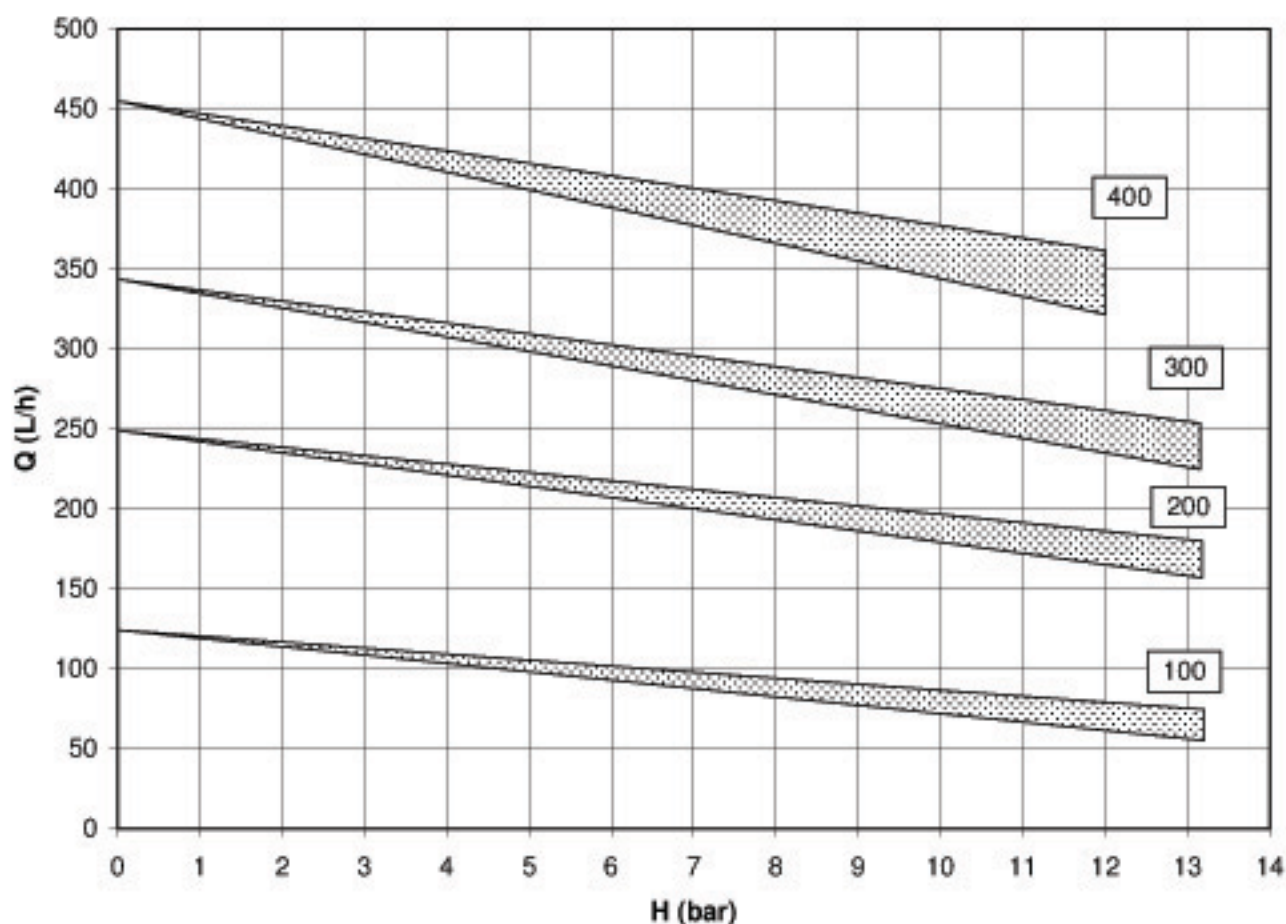
CURVE 50 HZ - 1450 RPM

SERIE HTP - EMP

50 HZ - 1450 RPM CURVES

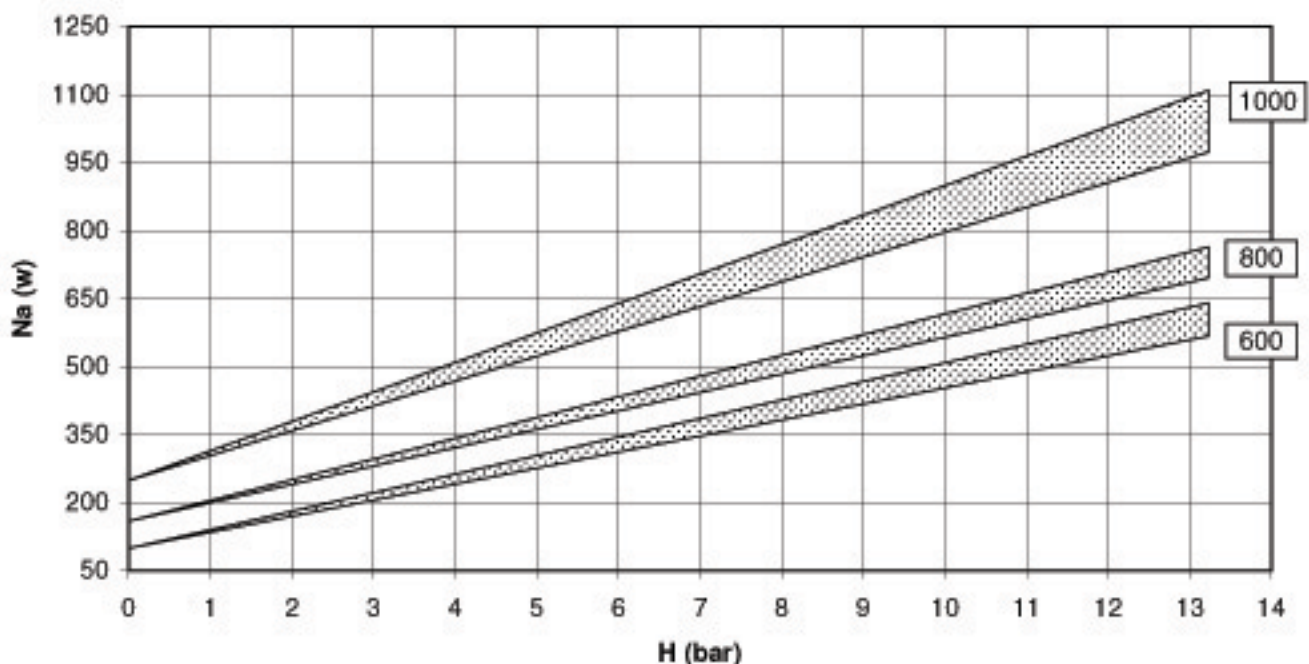
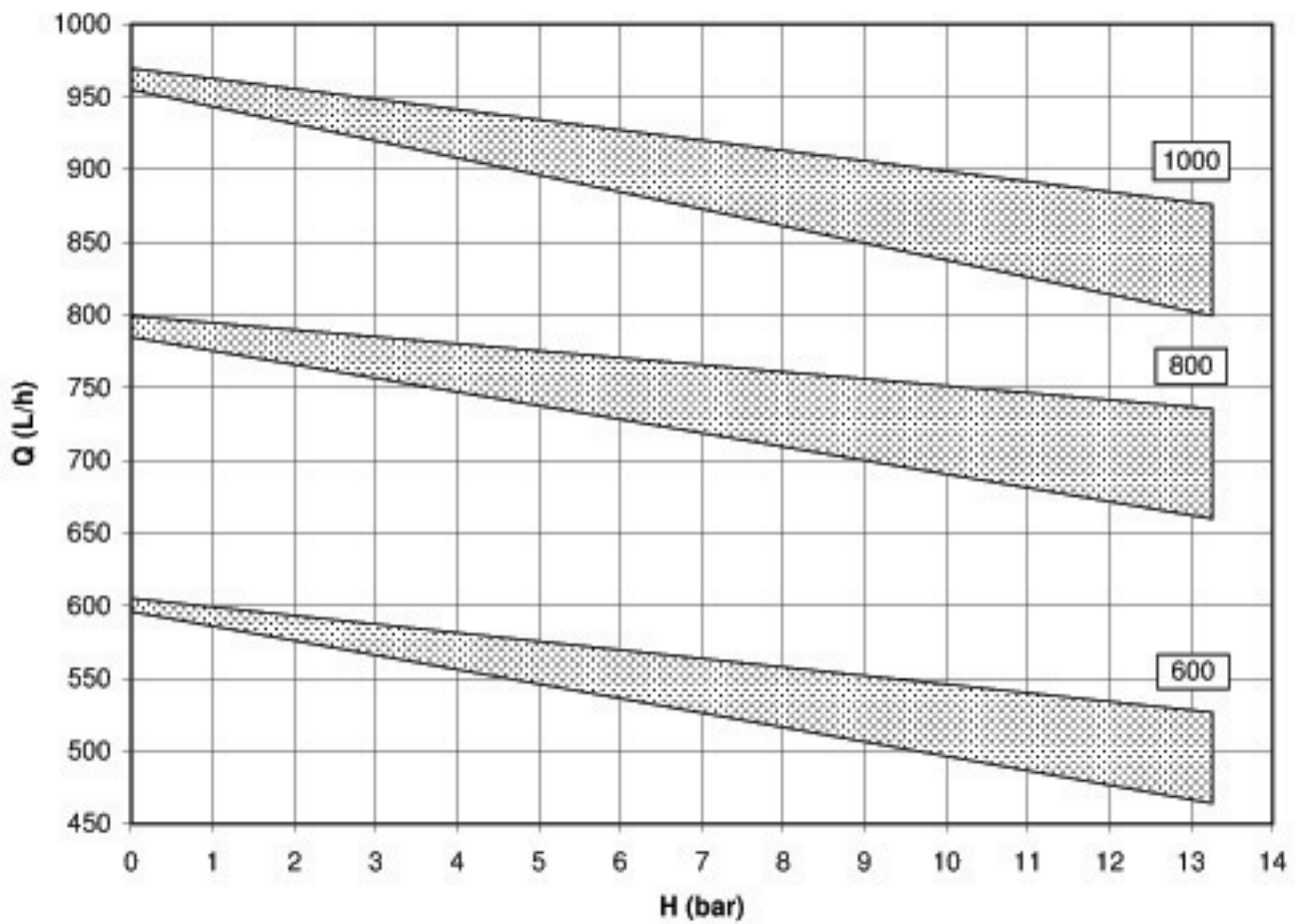
TYPE HTP - EMP

HTP - EMP (ATEX) 1° RANGE

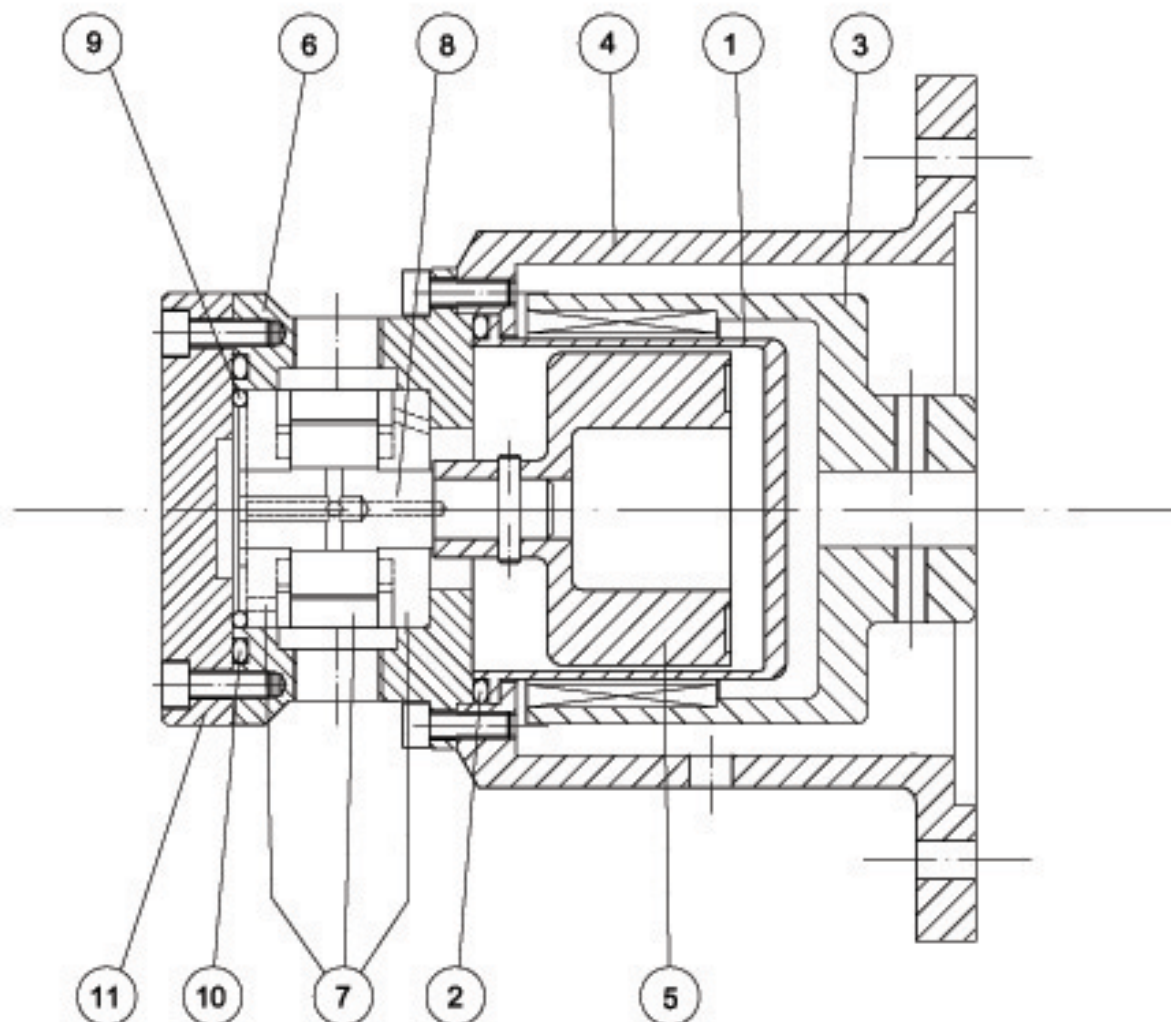




**HTP - EMP (ATEX) 2° RANGE**



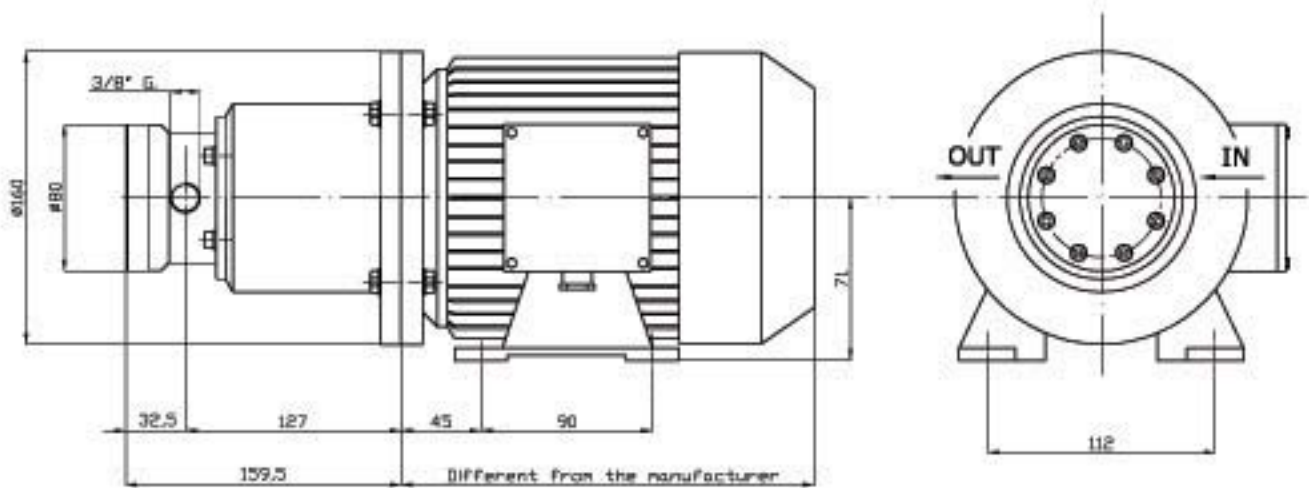
# HTP 1° - 2° RANGE



POS.	1	2	3	4	5	6
PART DESCR.	REAR CASING	O-RING 168	EXTERNAL MAGNET	BRACKET	INTERNAL MAGNET	PUMP BODY
MATERIALS	AISI 316	EPDM	AVP + NdFeb	ALL.	AISI 316 + SmCo	AISI 316

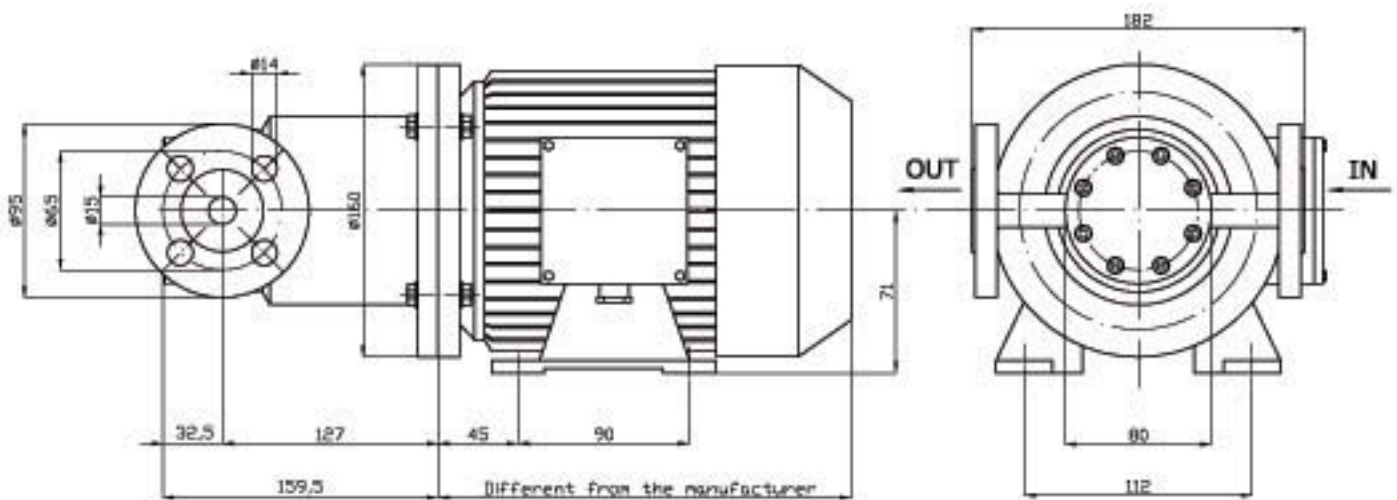
7	8	9	10	11
FLANGES STATOR VANES + PINS	ROTOR SHAFT	O-RING 4150	O-RING 4200	END COVER
GRAPHITE + AISI 316	AISI 316	EPDM	EPDM	AISI 316

HTP 1° RANGE



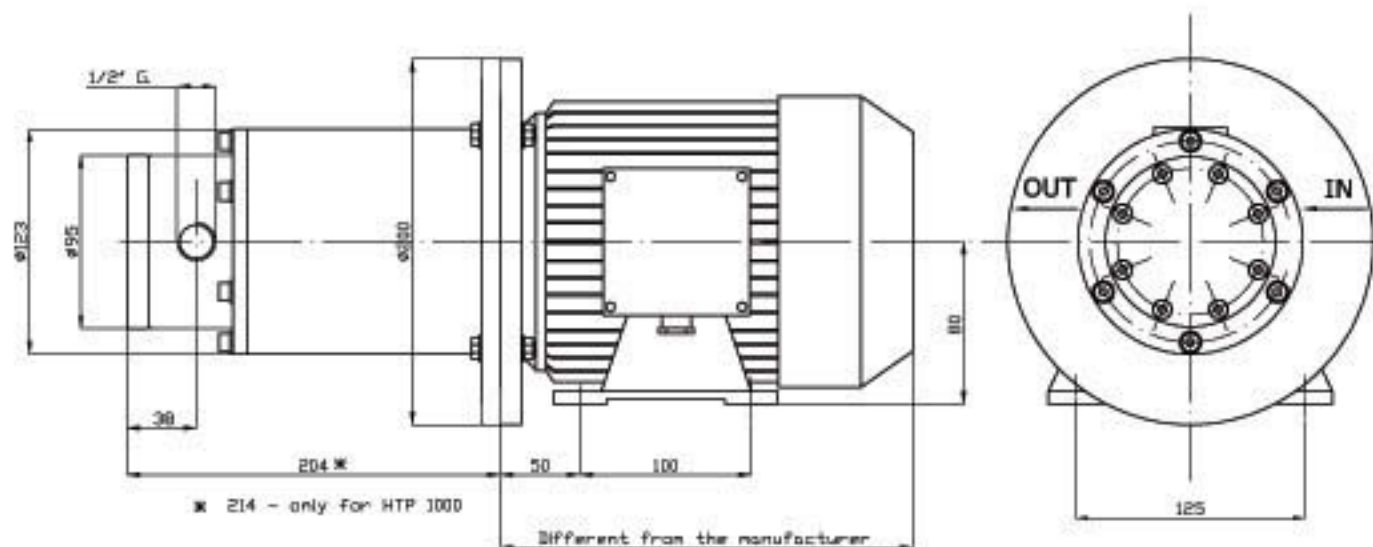
FLANGES: DN 15, PN 25

MOTOR: GR.71, B3, B5  
KW: 0,37 - 4 P.





HTP 2° RANGE



FLANGES: DN 20, PN 25

MOTORS: GR.80, 90 - B3, B5  
KW: 0,75 - 1,5 - 4 P.

