

PRIME MASTER HP SERIES

SERIES HP

MODEL HP-3

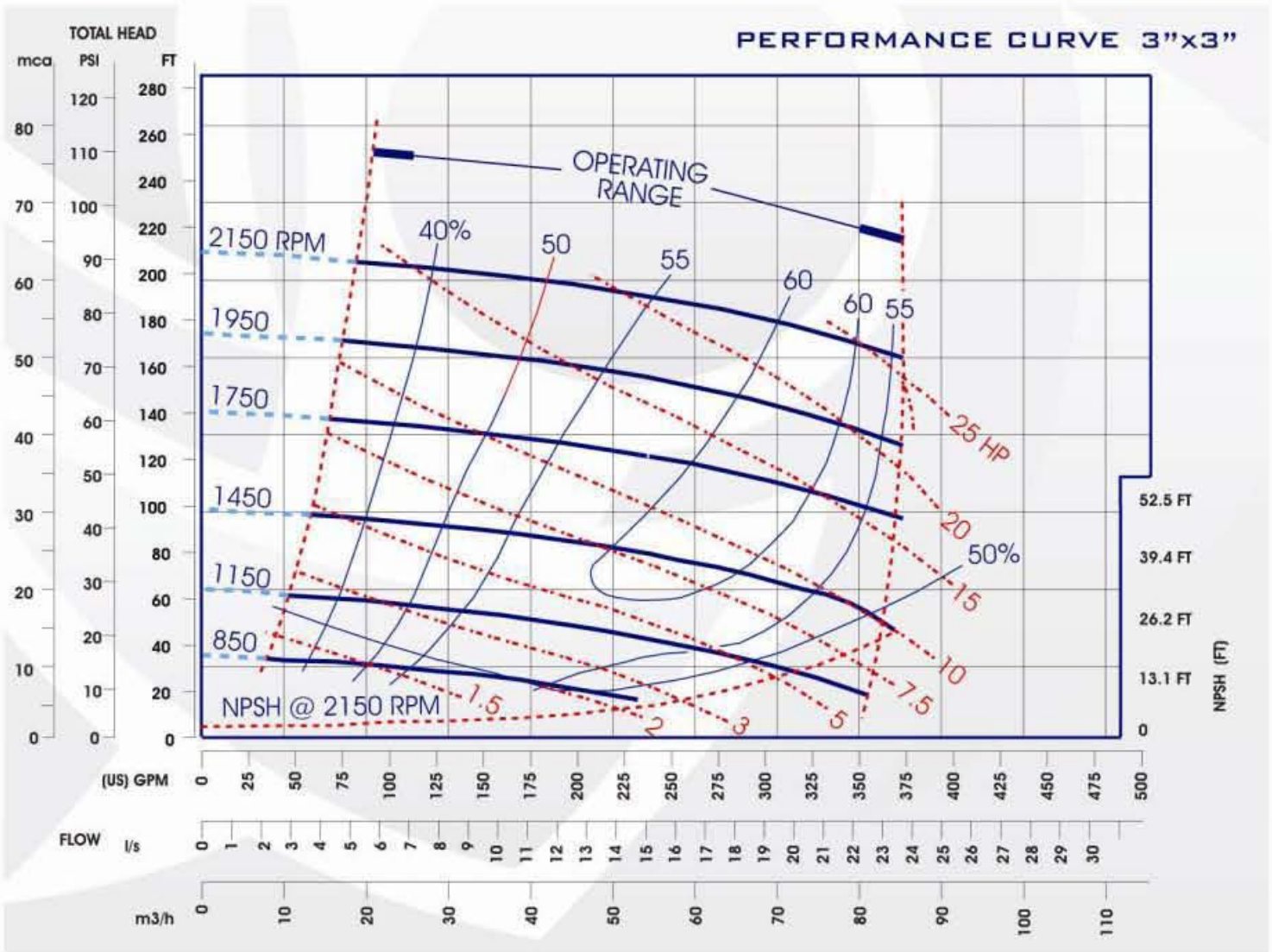
DATA SHEET

NET WEIGHT **214kg (472lbs)**
 SHIPPING WEIGHTS **225kg (497lbs)**
 IMPELLER DIA. **279,4mm (11")**
 R.P.M. **FROM 850rpm TO 2150rpm**
 MAX. SOLIDS **20.63mm (13/16")**

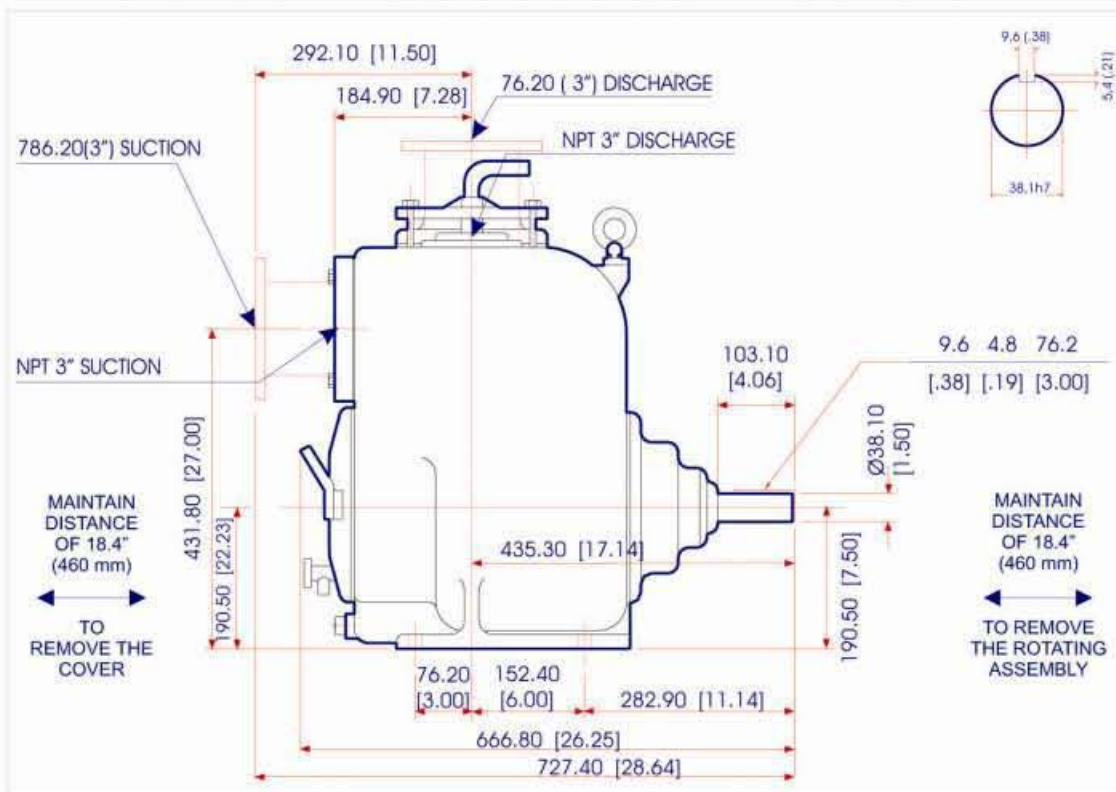
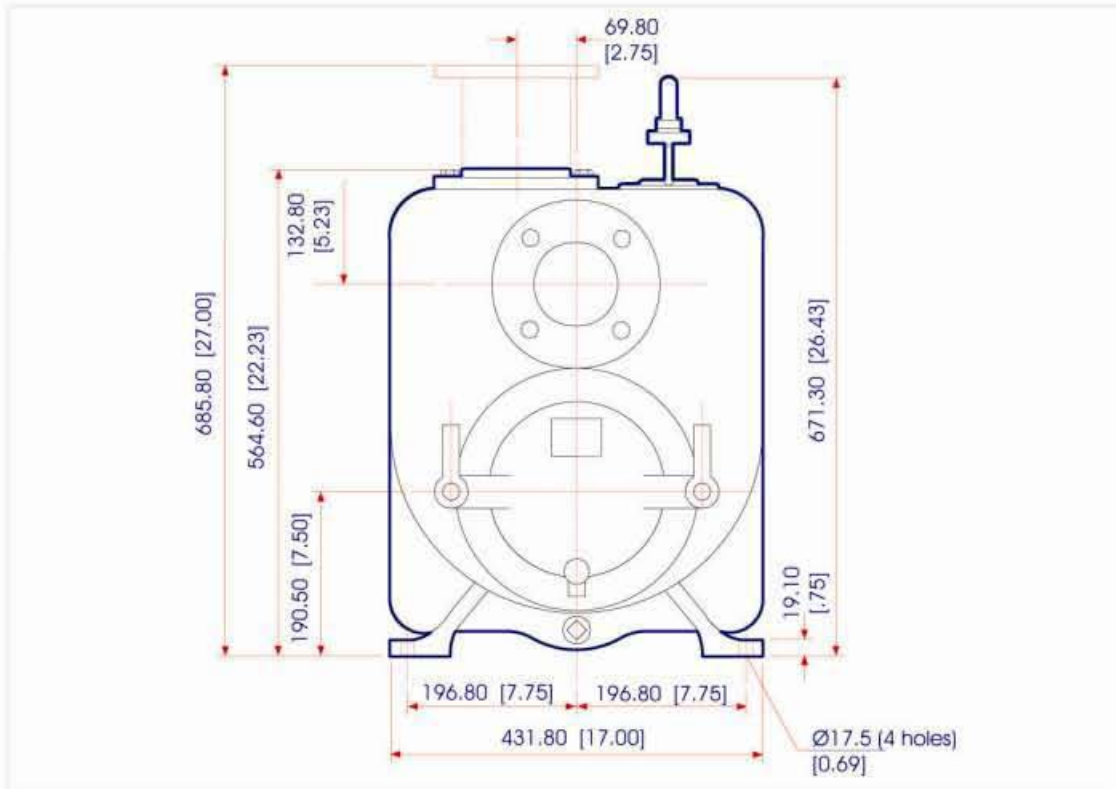
SELF-PRIMING

850 RPM 2,3m (7ft) - 1150 RPM 2,9m (9ft)
 1450 RPM 4,5m (15ft) - 1750 RPM 7,6m (25ft)
 1950 RPM 7,6m (25ft) - 2150 RPM 7,6m (25ft)

BEFORE USING THIS TABLE, CHECK THE NPSH.



EXTERNAL DIMENSIONS MILLIMETERS (INCHES)



SERIES HP

MODEL HP-4

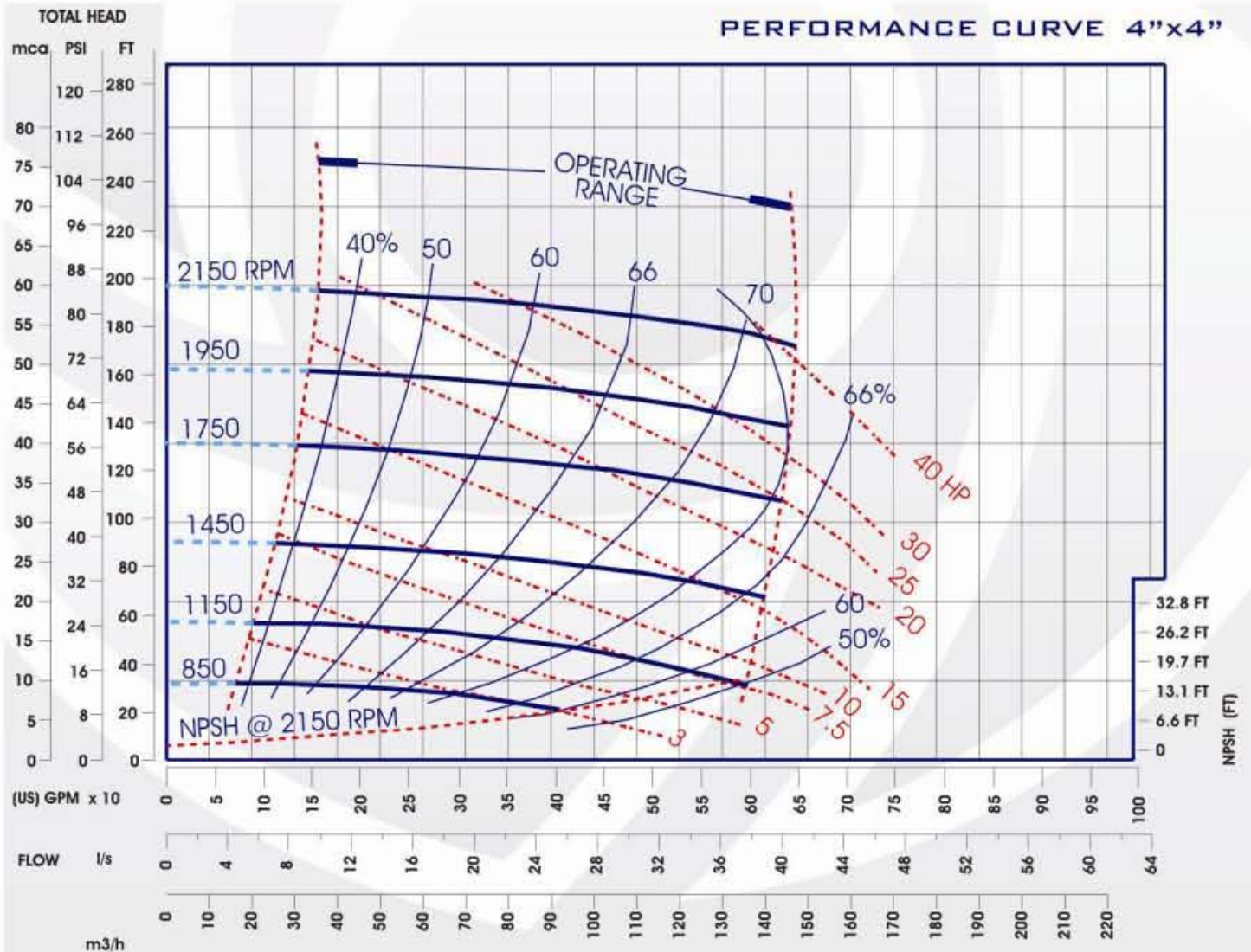
DATA SHEET

NET WEIGHT **272kg (600lbs)**
 SHIPPING WEIGHTS **297kg (655lbs)**
 IMPELLER DIA. **279,4mm (11")**
 R.P.M. **FROM 850rpm TO 2150rpm**
 MAX. SOLIDS **28.57mm (1.1/8")**

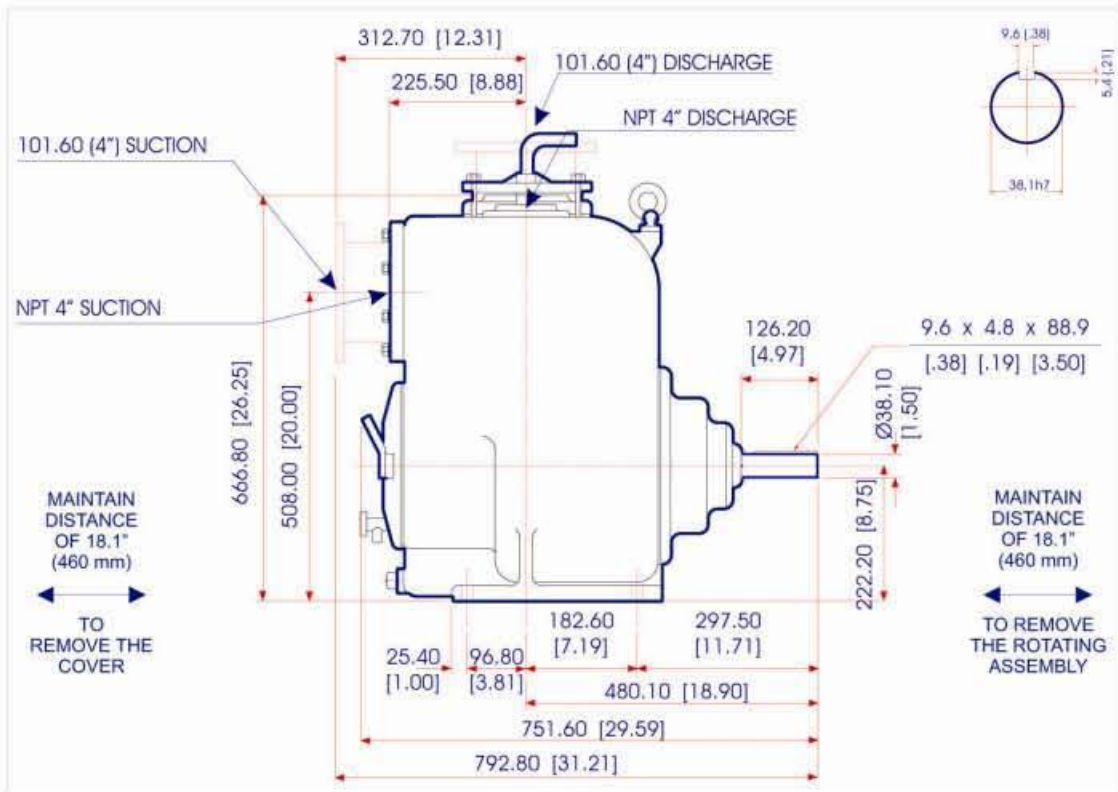
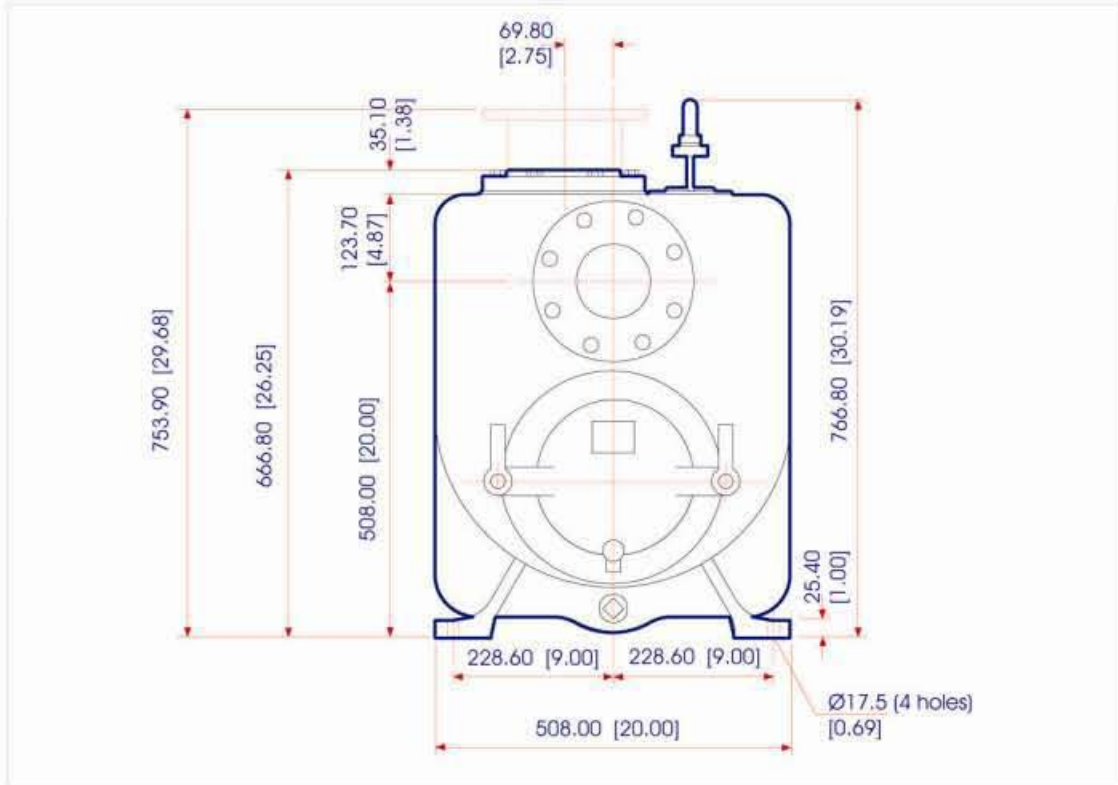
SELF-PRIMING

850 RPM 2,4m (8ft) - 1150 RPM 3,0m (10ft)
 1450 RPM 3,6m (12ft) - 1750 RPM 3,9m (13ft)
 1950 RPM 4,5m (15ft) - 2150 RPM 5,2m (17ft)

BEFORE USING THIS TABLE, CHECK THE NPSH.



EXTERNAL DIMENSIONS
MILLIMETERS (INCHES)



SERIES HP

MODEL HP-6

DATA SHEET

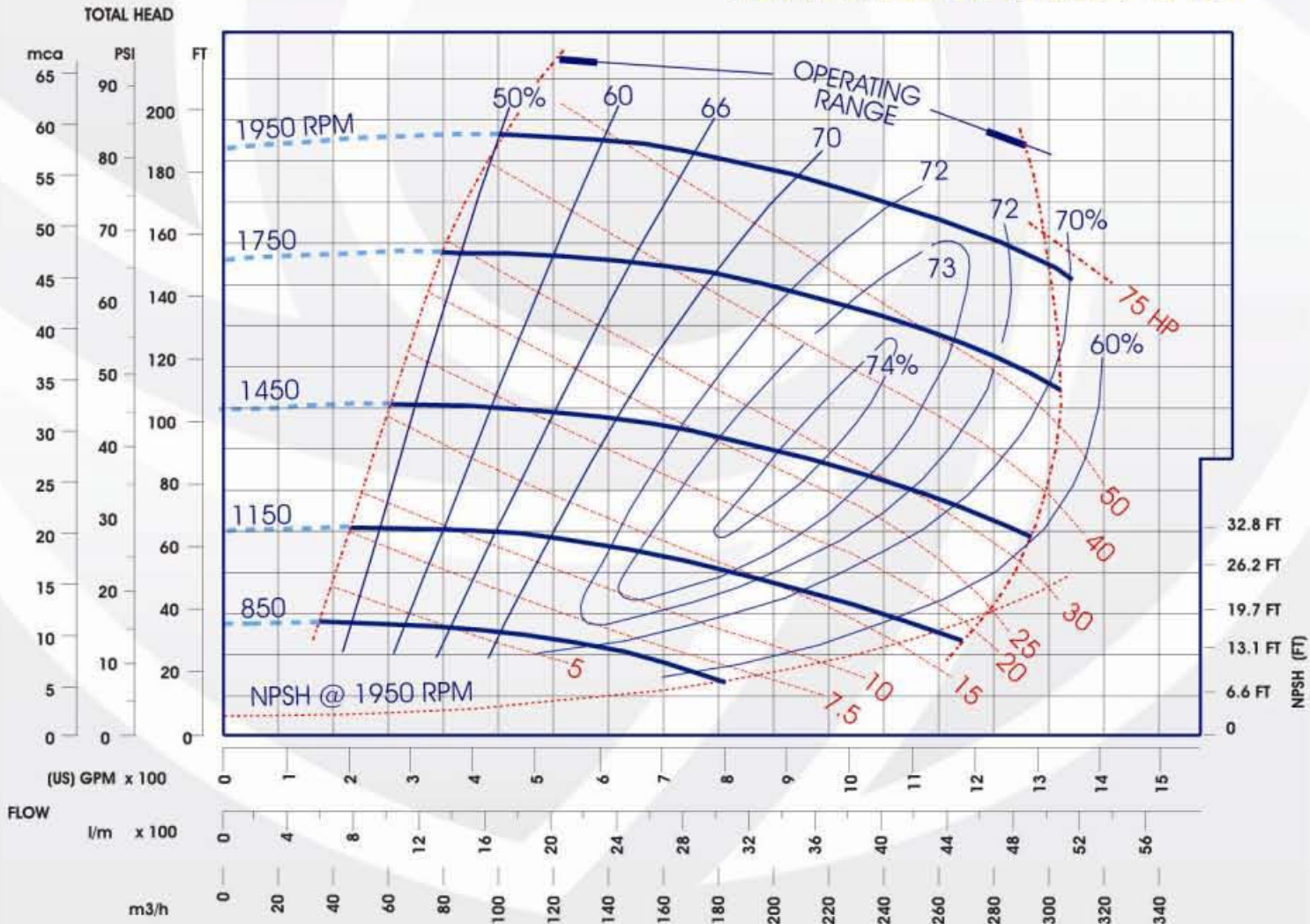
NET WEIGHT 413kg (910lbs)
SHIPPING WEIGHTS 437kg (965lbs)
IMPELLER DIA. 317,5mm (12.1/2")
R.P.M. FROM 850rpm TO 1950rpm
MAX. SOLIDS 31,75mm (1.1/4")

SELF-PRIMING

850 RPM 2,4m (8ft) - 1150 RPM 3,0m (10ft)
1450 RPM 4,2m (10ft) - 1750 RPM 4,5m (15ft)
1950 RPM 4,5m (15ft)

BEFORE USING THIS TABLE, CHECK THE NPSH.

PERFORMANCE CURVE 6"x6"



EXTERNAL DIMENSIONS MILLIMETERS (INCHES)

